

3.1

Therapy-Pool



MEDICARE®-Pool

BEKA   HOSPITEC
Pflege- und Therapiesysteme GmbH

MEDICARE® Exercise- and Therapy-Pool



■ MEDICARE-Pool

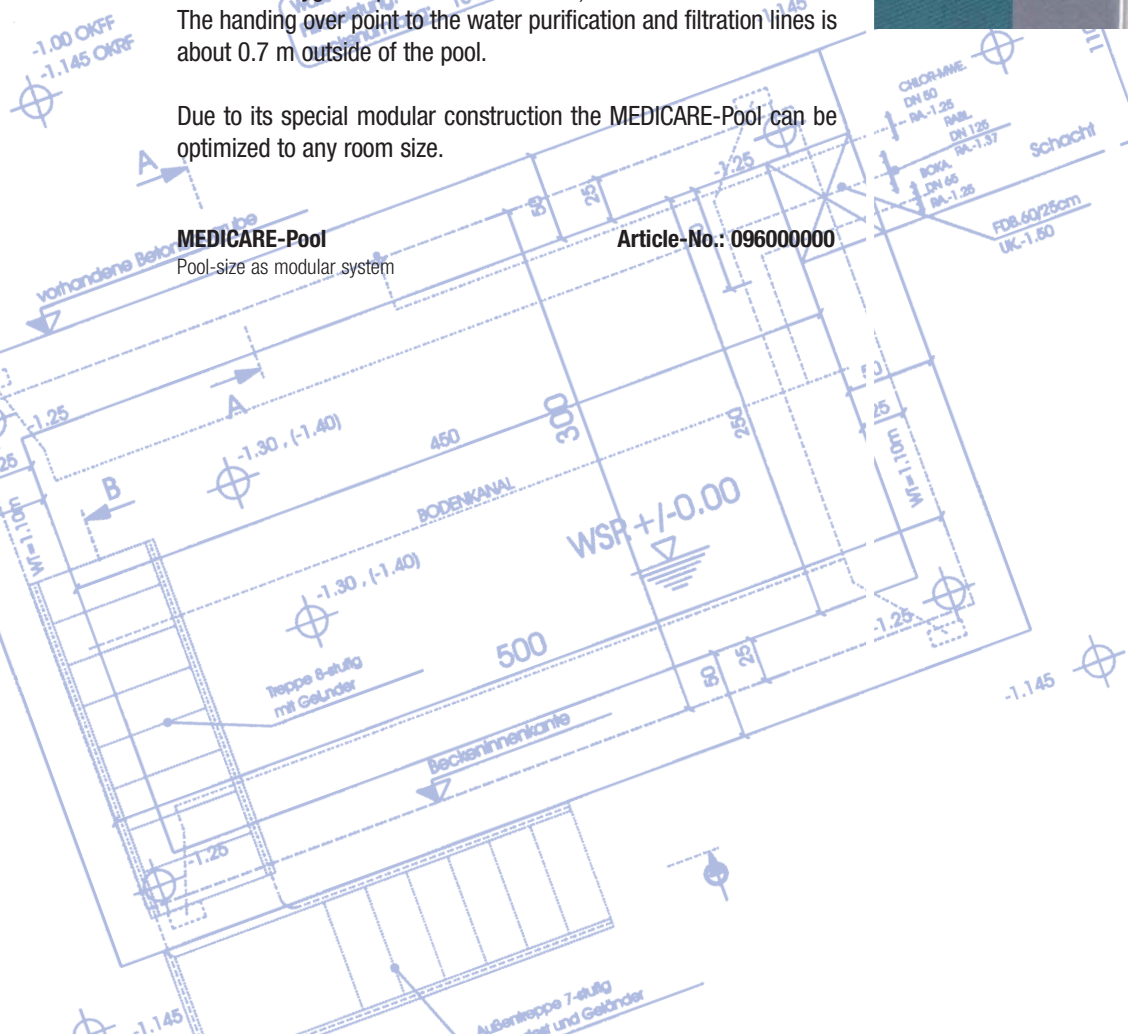
Therapy-Pool made for perfect exercising and water gymnastics in hospitals, rehabilitation centers, therapy-facilities and sport centers. Complete self-supporting Pool-construction made of stainless steel. The side walls, made of absolute distortion-free float-glas, ensures a controlled therapy by the therapist, who can watch and correct the patient from the outside on all four sides of the pool.

The pool floor is made of a 1.5 mm strong, non-slippery stainless steel sheet metal, which is installed on a Styrodur construction with fine-sand layer. The overflow channel is made according to DIN-EN 196431. The fresh water infloating is made by vertical-streaming jets within the floor channel. This special floor channel with its inside special streaming jets guarantees an optimal water revolving in any part of the pool and avoids any dead spots.

The complete plumbing is done inside and underneath of the pool construction. (No surrounding plumbing channel, no surrounding cover = no hygienic problem whatsoever!)

The handing over point to the water purification and filtration lines is about 0.7 m outside of the pool.

Due to its special modular construction the MEDICARE-Pool can be optimized to any room size.



MEDICARE-Pool

Pool-size as modular system

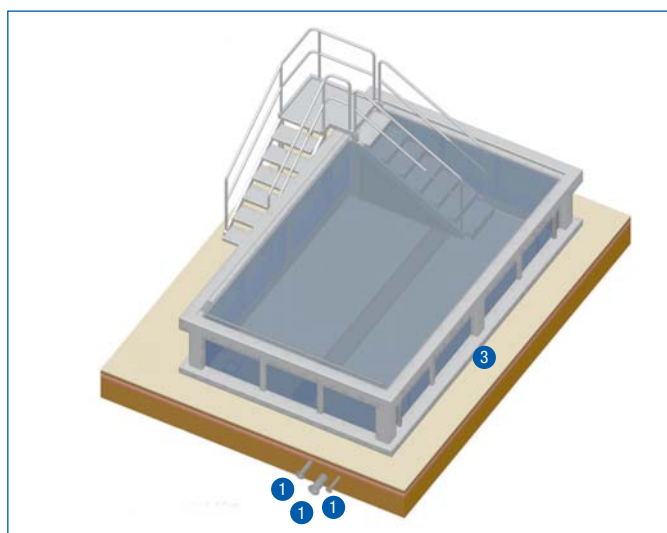
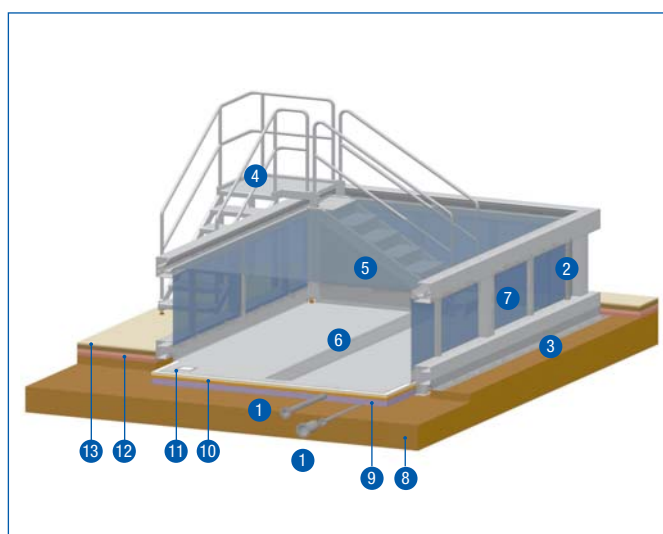
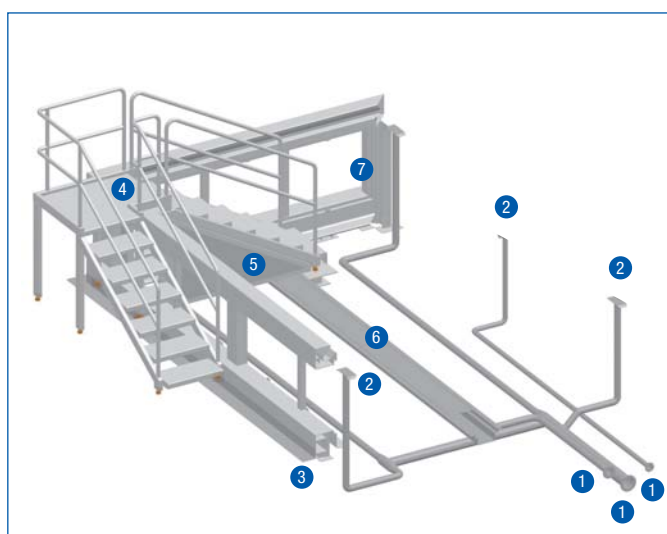
Article-No.: 096000000



MEDICARE-Pool-Lift

Patient lifting system for fixed floor installation. Turnable construction, with changing adaptor for either chair or stretcher operation. Battery operated 24 V, incl. Charger

Article-No.: 090843000



■ MEDICARE-Pool

- 1 Points of handing over to water purification and filtration lines
- 2 Overflow channel
- 3 Construction with floor angles and tiles
- 4 Stair with platform, construction ensures highest security level
- 5 Under-swim protection cover
- 6 Streaming-channel
- 7 Float-glas walls
- 8 Ready concrete floor
- 9 Styrodur construction, height according to needs
- 10 Fine-sand layer
- 11 Stainless steel floor with non-slippery surface
- 12 Ready-floor – made by customer
- 13 Tile coverage – made by customer

Licence production by

 **berndorf**
bäderbau

Berndorf Metall- und Bäderbau · A-2560 Berndorf
www.berndorf.at



Therapy Systems

■ Treatment Tables/Rehabilitation



■ Heating/Cooling Therapy

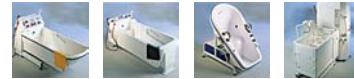


■ Hydro/Thalasso Therapy



Care/Nursing Systems

■ Care/Nursing Bath Tubs



■ Patient Lift and Transport Systems



BEKA   **HOSPITEC**
Pflege- und Therapiesysteme GmbH

BEKA-Hospitec GmbH
Am Rübenmorgen 3
D-35582 Wetzlar-Dutenhofen

Phone: +49 (0) 641/92220-0
Fax: +49 (0) 641/92220-20

E-mail: info@beka-hospitec.de
Internet: www.beka-hospitec.de